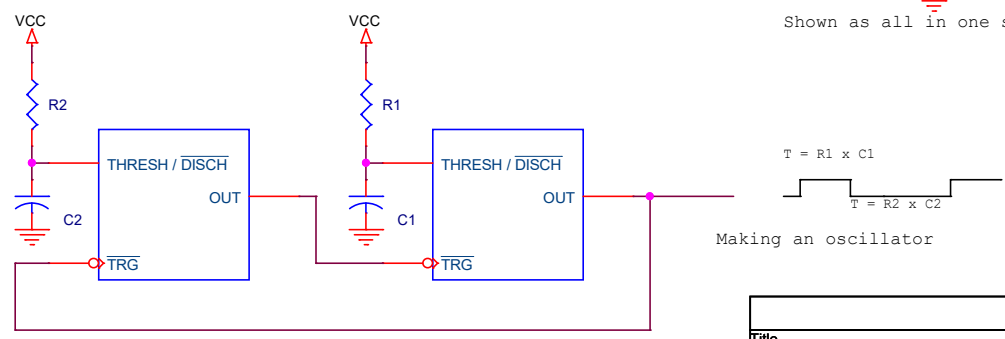


Shown as all in one symbol.



Making an oscillator

Title		
NE558, G26047 Quad timer		
Size	Document Number	Rev
A	Design 1963	1
Date:	Wednesday, September 08, 2021	Sheet 1 of 1